

INJ-C200G-PASS-T

Industrial Gigabit Passive PoE Injector; EOT: -40°C to 75°C



FEATURES

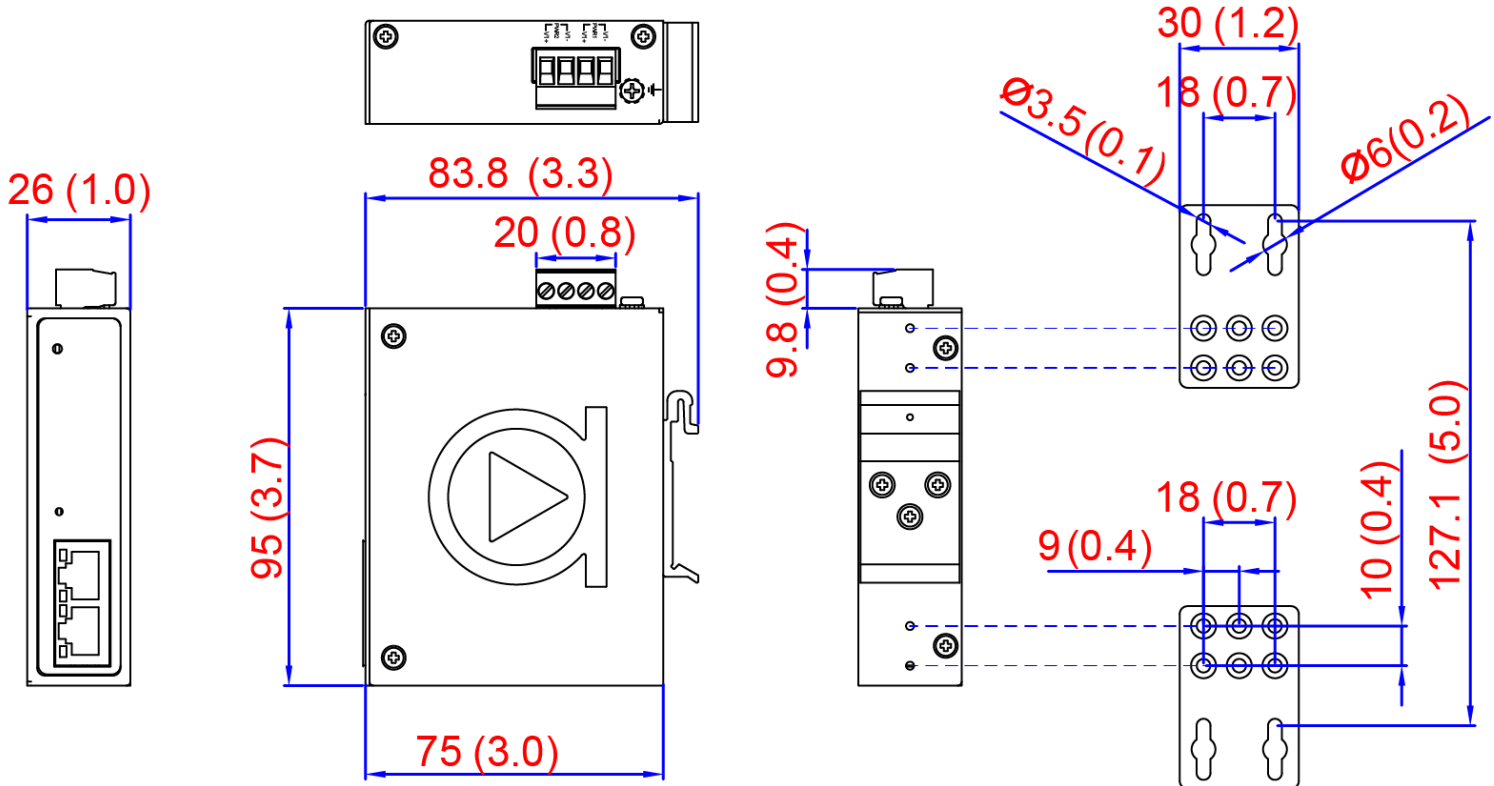
- ▶ IEEE 802.3af/at/bt/PoH Compliant PoE
- ▶ Providing Data and Power over Ethernet to Power Device
- ▶ Provided power booster technologies for low voltage power inputs
- ▶ Redundant 12~55VDC power inputs design
- ▶ DIP-Switch setting for PoE mode and dual PD check
- ▶ IP30 Protection
- ▶ DIN-Rail or Wall Mountable
- ▶ Operating Temperature - EOT: -40°C to 75°C
- ▶ 5-Year Warranty



INTRODUCTION

Antaira Technologies' INJ-C200G-PASS-T is an industrial Passive Power over Ethernet (PoE) injector. By utilizing multiple pairs on the RJ45 cable this industrial-grade PoE injector is capable of providing up to 90 Watts of power to tail end devices. The INJ-C200G-PASS-T is IP30 rated, DIN-rail and wall-mountable, and supports an extended operating temperature range of -40°C to 75°C, making it ideal for outdoor or harsh industrial applications.

DIMENSIONS



Unit: mm (inch)

Din-rail

Wall-mount

SPECIFICATIONS

TECHNOLOGY

Standards	IEEE 802.3 10Base-T Ethernet IEEE 802.3u 100Base-TX Fast Ethernet IEEE 802.3ab 1000BaseT Gigabit Ethernet IEEE 802.3af/at/bt/PoH Power over Ethernet
------------------	---

SWITCH PROPERTIES

Transfer Rate	14,880pps for Ethernet 148,800pps for Fast Ethernet 1,488,000pps for Gigabit Ethernet
----------------------	---

PORT INTERFACE

Ethernet Port	2*10/100/1000BaseT(X) (1*Data IN, 1*PoE OUT)
LED Indicators	Power, PoE, PoE Load
DIP Switch	DIP Switch 1: PoE Mode On - Enhanced / Off (default) - Standard DIP Switch 2: Dual PD Check On - Enable / Off (default) - Disable
Network Cable	10BaseT: 2-pair UTP/STP Cat. 3, 4, 5 cable EIA/TIA-568 100-ohm (100m) 100BaseTX: 2-pair UTP/STP Cat. 5 cable EIA/TIA-568 100-ohm (100m) 1000BaseTX: UTP/STP Cat. 5/5E cable; EIA/TIA-568 100-ohm (100m)

NOTE: The total length from the device A through the injector to the device B must not exceed 100 meters

MECHANICAL CHARACTERISTICS

Housing	Metal, IP30 protection
Dimension	30 x 95 x 75 mm (W x H x D)
Weight	Unit: 0.82 lb. Shipping: 1.16 lbs.
Mounting	DIN-Rail mounting, Wall mounting

POWER REQUIREMENT

Input Voltage	12~55VDC / 92 Watts max
Power Connection	1 removable 4-contact terminal block
Relay Contact	24VDC, 1A resistive
Overload Current Protection	Present
Reverse Polarity Protection	Present
System Power Consumption	2 Watts @ 48VDC
PoE Pin Out	V-, V-, V+, V+ for pin 1, 2, 3, 6 V+, V+, V-, V- for pin 4, 5, 7, 8 *Support Modes: Mode A, Mode B, 4-Pair Mode
PoE Power Budget	60W@9VDC 90W@12VDC 100W@24~55VDC

ENVIRONMENTAL LIMITS

Operating Temperature	-40°C to 75°C
Storage Temperature	-40°C ~ 85°C
Ambient Relative Humidity	5 to 95%, (non-condensing)

REGULATORY APPROVALS

EMI	FCC Part 15 Subpart B Class A, CE EN55032/EN61000-6-4 Class A
EMS	CE EN55035/EN61000-6-2, IEC61000-4-2,3,4,5,6,8
Certifications	FCC, CE
Warranty	5 Years

ORDERING INFORMATION

INJ-C200G-PASS-T Industrial Gigabit Passive PoE Injector; EOT: -40°C to 75°C