

## DIN-RAIL-KIT-3

## DIN-RAIL-KIT-3-10

UPGRADED DIN-RAIL CLIP FOR ETHERNET SWITCHES WITH EASY RELEASE

UPGRADED DIN-RAIL CLIP FOR ETHERNET SWITCHES WITH EASY RELEASE - PACK OF 10

### FEATURES

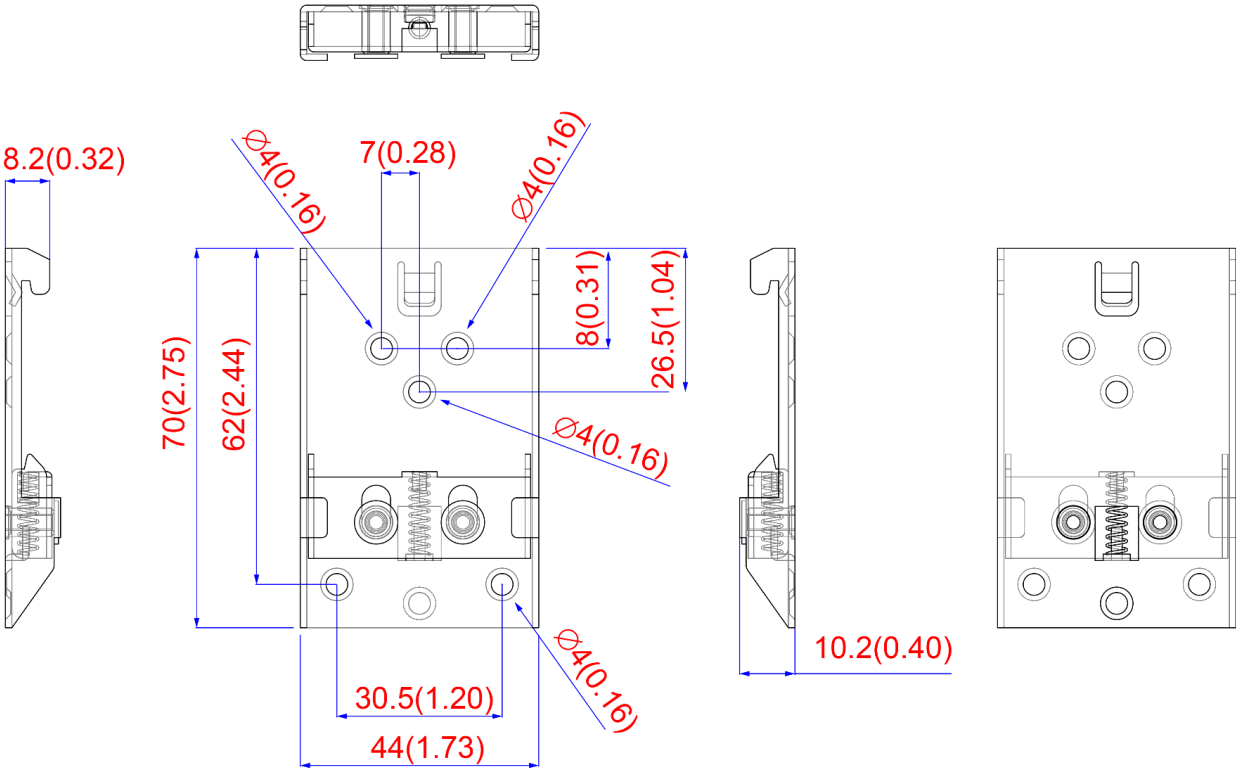
- Stainless Steel Construction
- Coil Spring Loaded Latch
- Secure Snap On Design
- No Tools Required to Remove from DIN-Rail



### INTRODUCTION

Antaira Technologies' DIN-RAIL-KIT-3 was designed to replace standard DIN-Rail clips in applications where the environment requires a solid connection to a DIN-Rail but still permits the device to be easily removed from the DIN-Rail. Not only will these clips hold a DIN-Rail more securely, but they will also release from the DIN-Rail more easily. This is done with the innovative design that requires no tools to be used to detach the device from the DIN-Rail.

# DIMENSIONS



Unit: mm (inch)

## COMPATIBILITY LIST

LMP-0501-M-V2	LMP-0602-ST-S3-24-V2	LMX-0500-V2	LMX-1002G-SFP
LMP-0501-M-T-V2	LMP-0602-ST-S3-24-T-V2	LMX-0500-T-V2	LMX-1002G-SFP-T
LMP-0501-S3-V2	LMP-0800G	LMX-0501G-SFP-V2	LMX-1002G-SFP-T-CC
LMP-0501-S3-T-V2	LMP-0800G-T	LMX-0501G-SFP-T-V2	LMX-1002G-10G-SFP
LMP-0501-M-24-V2	LMP-0800G-24	LMX-0600-V2	LMX-1202G-SFP
LMP-0501-M-24-T-V2	LMP-0800G-24-T	LMX-0600-T-V2	LMX-1202G-SFP-T
LMP-0501-S3-24-V2	LMP-0804G-SFP	LMX-0601G-SFP-V2	LMX-1202M-SFP
LMP-0501-S3-24-T-V2	LMP-0804G-SFP-T	LMX-0601G-SFP-T-V2	LMX-1202M-SFP-T
LMP-0600-V2	LMP-1002G-10G-SFP	LMX-0602-M-V2	LMX-1204G-SFP
LMP-0600-T-V2	LMP-1002G-10G-SFP-24	LMX-0602-M-T-V2	LMX-1204G-SFP-T
LMP-0600-24-V2	LMP-1002G-SFP	LMX-0602-S3-V2	LMX-1204G-SFP-T-CC
LMP-0600-24-T-V2	LMP-1002G-SFP-T	LMX-0602-S3-T-V2	LNP-0500-24
LMP-0601G-SFP-V2	LMP-1002G-SFP-24	LMX-0602-ST-M-V2	LNP-0500-24-T
LMP-0601G-SFP-T-V2	LMP-1002G-SFP-24-T	LMX-0602-ST-M-T-V2	LNP-0500G-24
LMP-0601G-SFP-24-V2	LMP-1202M-SFP	LMX-0602-ST-S3-V2	LNP-0500G-24-T
LMP-0601G-SFP-24-T-V2	LMP-1202M-SFP-T	LMX-0602-ST-S3-T-V2	LNP-0500G-bt
LMP-0602-M-V2	LMP-1202M-SFP-24	LMX-0800	LNP-0500G-bt-T
LMP-0602-M-T-V2	LMP-1202M-SFP-24-T	LMX-0800-T	LNP-0500G-bt-24
LMP-0602-S3-V2	LMP-1202G-SFP	LMX-0800G	LNP-0500G-bt-24-T
LMP-0602-S3-T-V2	LMP-1202G-SFP-T	LMX-0800G-T	LNP-0501-M-24
LMP-0602-ST-M-V2	LMP-1204G-SFP	LMX-0802-M	LNP-0501-M-24-T
LMP-0602-ST-M-T-V2	LMP-1204G-SFP-T	LMX-0802-M-T	LNP-0501-S3-24
LMP-0602-ST-S3-V2	LMP-1204G-SFP-bt	LMX-0802-S3	LNP-0501-S3-24-T
LMP-0602-ST-S3-T-V2	LMP-1204G-SFP-bt-T	LMX-0802-S3-T	LNP-0501-ST-M-24
LMP-0602-M-24-V2	LMP-1204G-SFP-bt-T-CC	LMX-0802-ST-M	LNP-0501-ST-M-24-T
LMP-0602-M-24-T-V2	LMP-1204G-SFP-bt-T-BOS	LMX-0802-ST-M-T	LNP-0501-ST-S3-24
LMP-0602-S3-24-V2	LMP-1204G-SFP-bt-T-BOS-CC	LMX-0802-ST-S3	LNP-0501-ST-S3-24-T
LMP-0602-S3-24-T-V2	LMP-1204G-SFP-bt-24	LMX-0802-ST-S3-T	LNP-0702C-SFP-24
LMP-0602-ST-M-24-V2	LMP-1204G-SFP-bt-24-T	LMX-0804G-SFP	LNP-0702C-SFP-24-T
LMP-0602-ST-M-24-T-V2	LMP-1204G-SFP-bt-24-T-BOS	LMX-0804G-SFP-T	LNP-0702G-SFP-24

LNP-0702G-SFP-24-T	LNP-1204G-SFP-T
LNP-0800-24	LNP-1204G-10G-SFP
LNP-0800-24-T	LNP-1204G-10G-SFP-24
LNP-0800-60-24	LNx-0802C-SFP
LNP-0800-60-24-T	LNx-0802C-SFP-T
LNP-0800G-24	LNx-1002C-SFP
LNP-0800G-24-T	LNx-1002C-SFP-T
LNP-0800G-24-T-CC	LNx-1002G-SFP
LNP-0802-M-24	LNx-1002G-SFP-T
LNP-0802-M-24-T	LNx-1002G-10G-SFP
LNP-0802-S3-24-T	LNx-1202G-SFP
LNP-0802C-SFP	LNx-1202G-SFP-T
LNP-0802C-SFP-T	LNx-1204G-SFP
LNP-0802C-SFP-24	LNx-1204G-SFP-T
LNP-0802C-SFP-24-T	LNx-1204G-10G-SFP
LNP-1002C-SFP	
LNP-1002C-SFP-T	
LNP-1002C-SFP-24	
LNP-1002C-SFP-24-T	
LNP-1002G-SFP	
LNP-1002G-SFP-T	
LNP-1002G-SFP-T-CC	
LNP-1002G-SFP-24	
LNP-1002G-SFP-24-T	
LNP-1002G-10G-SFP	
LNP-1002G-10G-SFP-24	
LNP-1202G-SFP	
LNP-1202G-SFP-T	
LNP-1204G-SFP	

© Antaira Technologies, LLC. All rights reserved. 202408  
Specifications are subject to change without notice and without incurring any obligation.